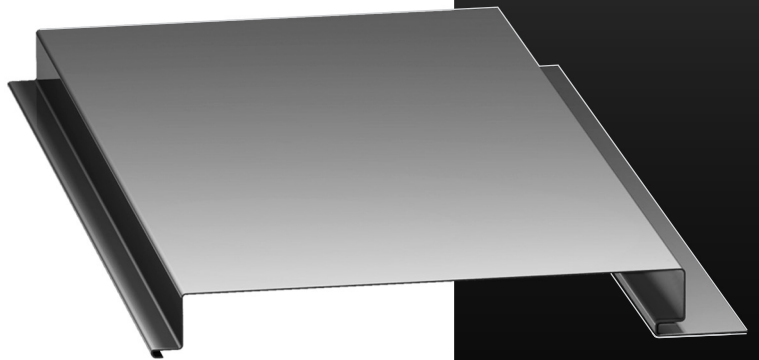


**FW SERIES**

**INSTALLATION**



# TABLE OF CONTENTS

PAGE NUMBER:	DETAIL DESCRIPTION
A-1.....	TABLE OF CONTENTS
A-2.....	GENERAL NOTES
B-1 & B-2.....	GENERAL INFORMATION (FASTENER PATTERNS)

DETAILS

C-1.....	SIMPLE BASE DETAIL with 1 1/2" SILL TRIM W/ RETURN
C-2.....	BASE W/ BRICK VENEER DETAIL
C-3.....	OUTSIDE CORNER DETAIL
C-4.....	INSIDE CORNER DETAIL
C-5.....	JAMB DETAIL
C-6.....	HEADER DETAIL with 1 1/2" SILL TRIM W/ RETURN
C-7.....	WINDOW SILL DETAIL
C-8.....	SILL DETAIL



# GENERAL NOTES

The details shown on the following pages are suggestions or guidelines on how to install FW Series Panel. The information shown is accurate and the installation details shown are proven methods of construction, but it is not intended to cover all instances, building requirements, designs or codes. The details may require changes or revisions due to individual project conditions. The installer should follow these recommended details using proper workmanship procedures.

It is the responsibility of the designer/installer to ensure the details meet particular building requirements and to assure adequate water-tightness. It must be noted that water-tightness is a function of the installer. McElroy Metal will be held harmless from any and all claims arising from a lack of water-tightness.

A proper uniform substructure should be used to avoid any panel distortion. All substructures should be designed to meet all necessary code requirements.

The installer should thoroughly familiarize himself/herself with all installation instructions. Before beginning installation of the panels, the installer should examine the substrate to ensure that all supporting members are straight, level and plumb.

NOTE: If Engineering Services are required by McElroy Metal, additional fasteners or material maybe required. Please contact the McElroy Metal Engineering Department for information.

The panels should be installed plumb, straight and accurately to the adjacent work. No penetrations shall be placed in the panel system by fasteners except as shown on the installation drawings.

McElroy Metal can provide all flashings and accessories shown in the installation drawings unless noted otherwise. Installation procedures shall be in accordance with the manufacture's printed instructions, detail or approved shop drawings. Flashing and trim shall be installed true and in proper alignment, with any exposed fasteners equally spaced for the best appearance.

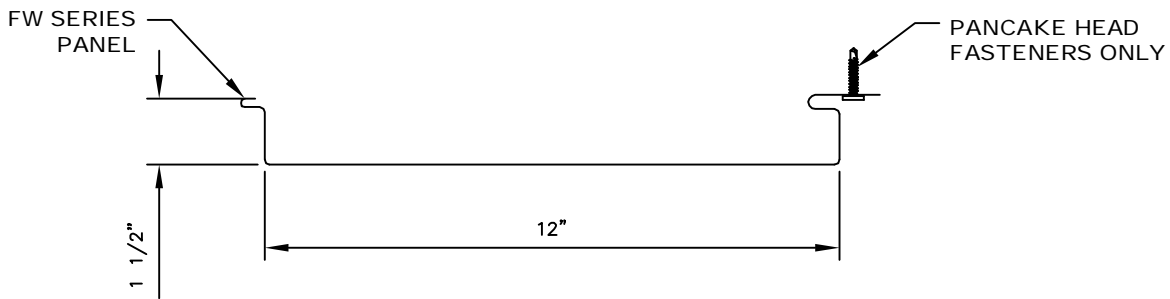
Some field cutting and fitting of panels and flashings is to be expected by the installer and minor field corrections are a part of normal installation work. Workmanship shall be of the best industry standards and with installation performed by experienced metal craftsman.

Oil canning of metal panels is inherent in the product and is not a cause for rejection.

Contents of this manual are subject to change without notice. Because this manual is revised from time to time, users are advised to check the revision date to be sure they have the most current copy in print. To confirm this book is the most current copy, please visit McElroy Metal's web site at <http://www.mcelroymetal.com>.

# GENERAL INFORMATION

## FASTENER PATTERN



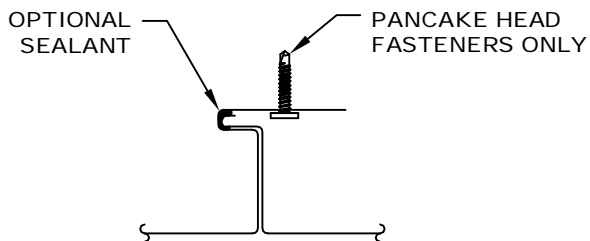
FW SERIES PANEL



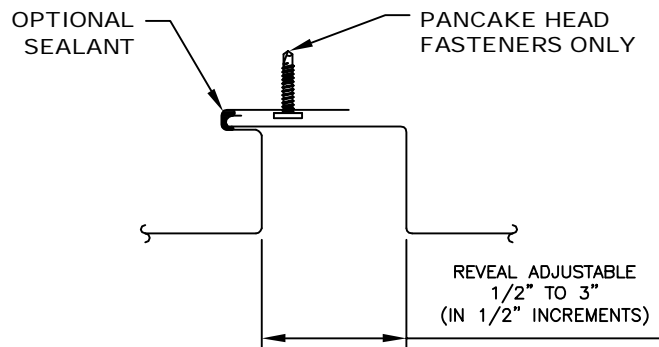
FW SERIES TYPICAL SEAM ENGAGEMENT



FW SERIES CUSTOM REVEAL SEAM ENGAGEMENT



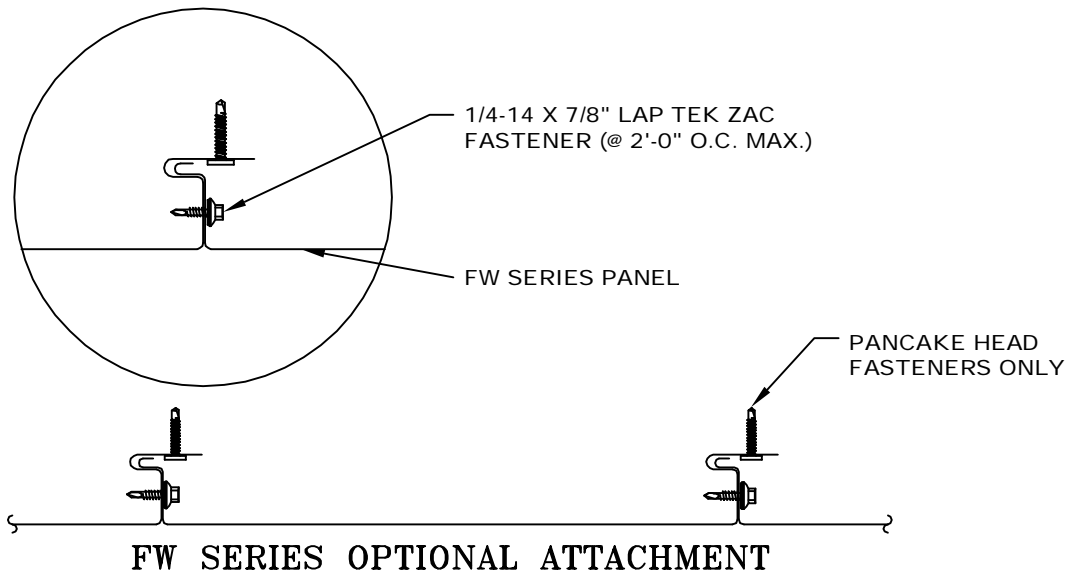
FW SERIES PANEL INTERLOCK

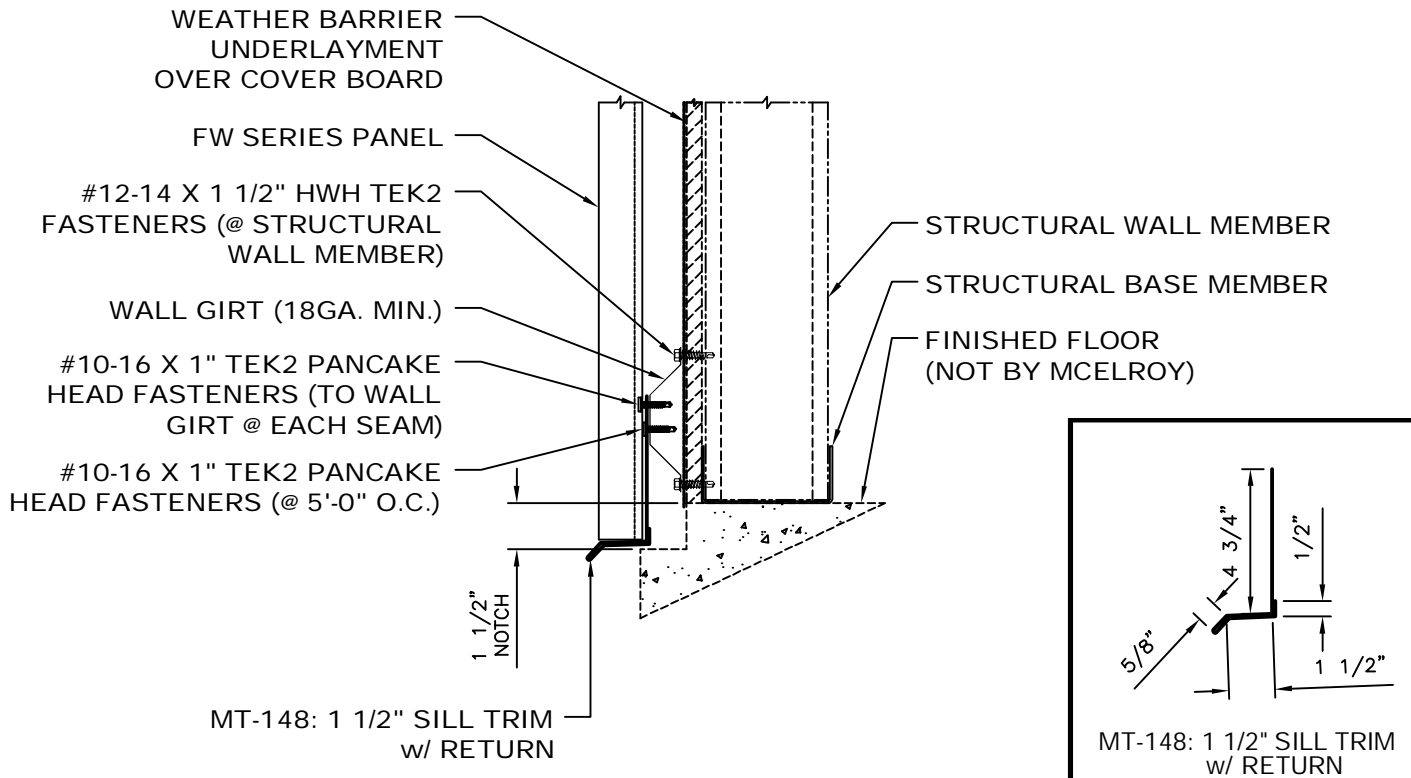


FW SERIES PANEL REVEAL INTERLOCK

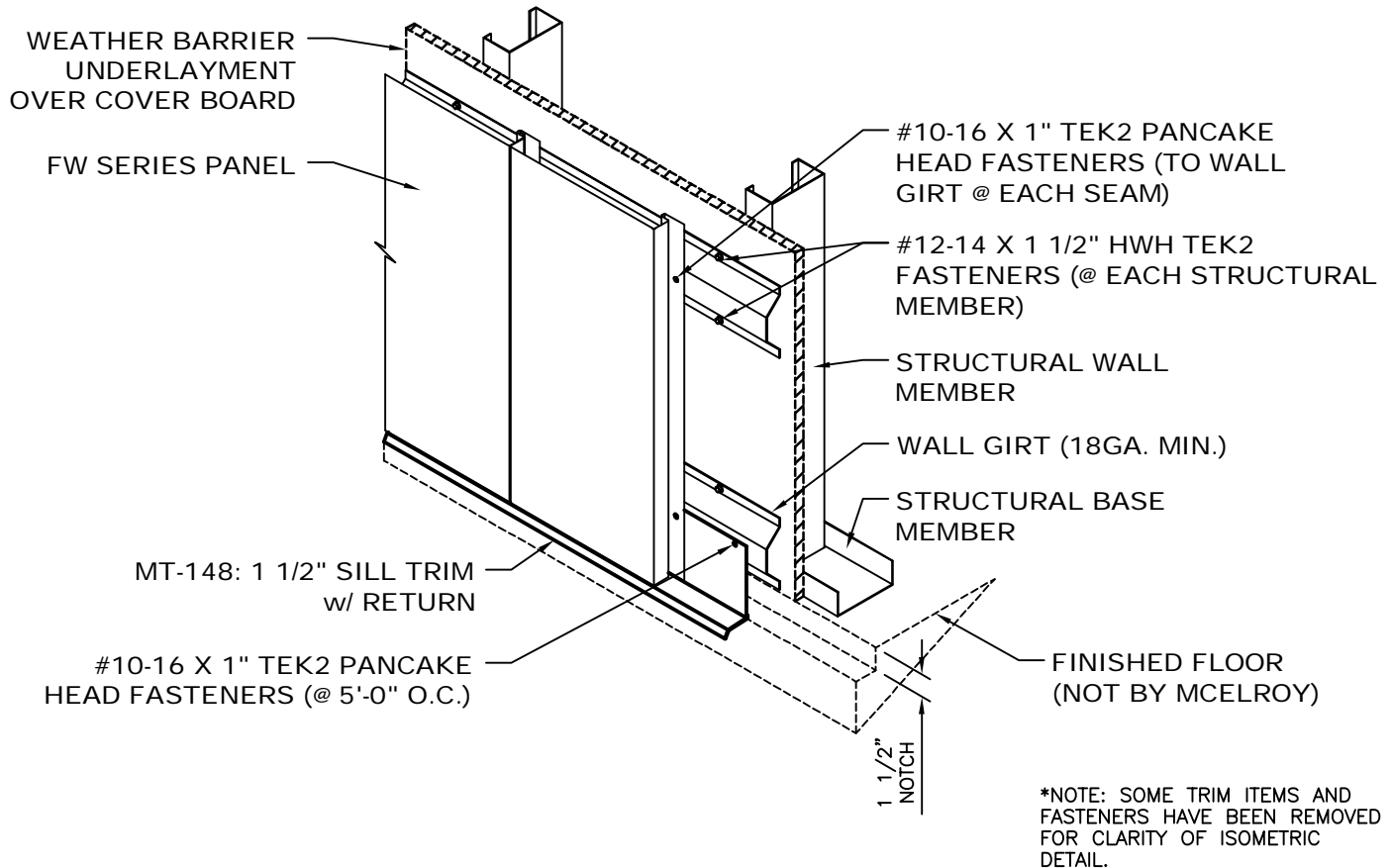
# GENERAL INFORMATION

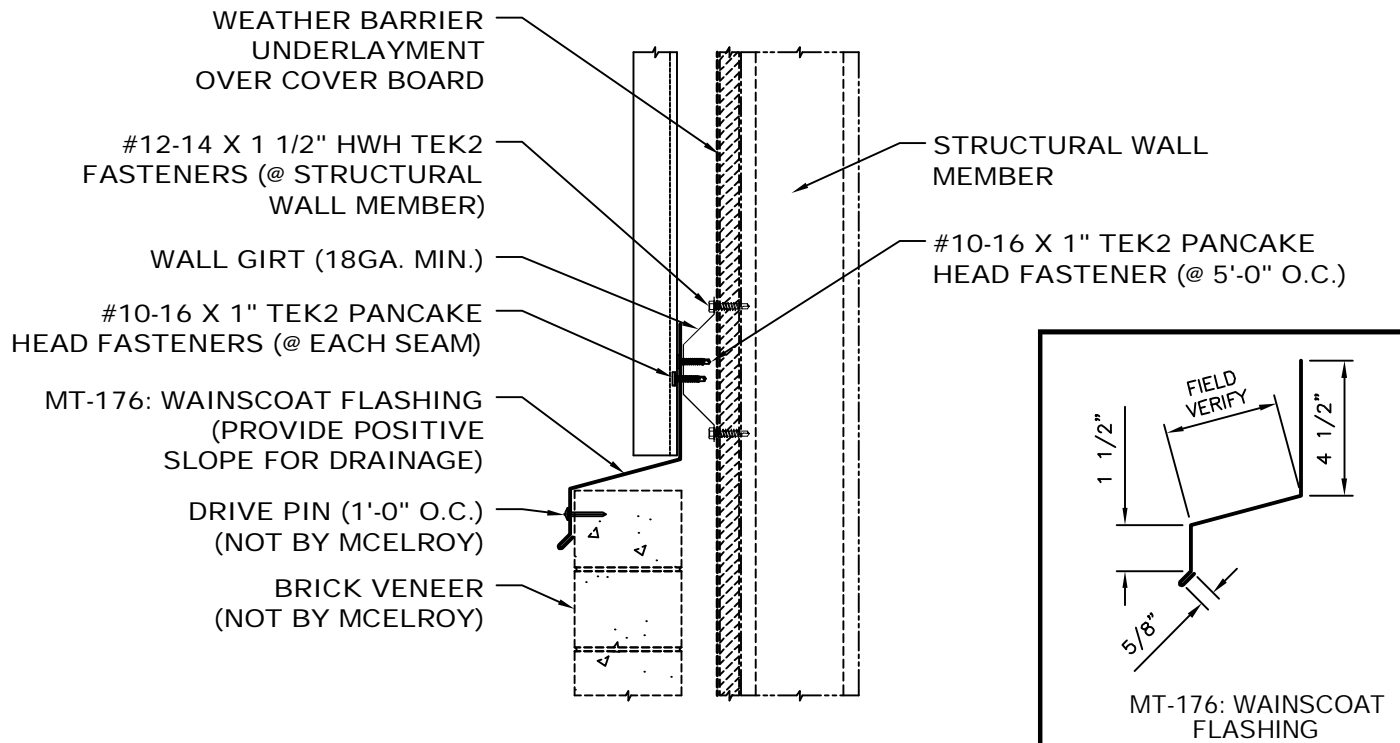
## OPTIONAL FASTENER PATTERN



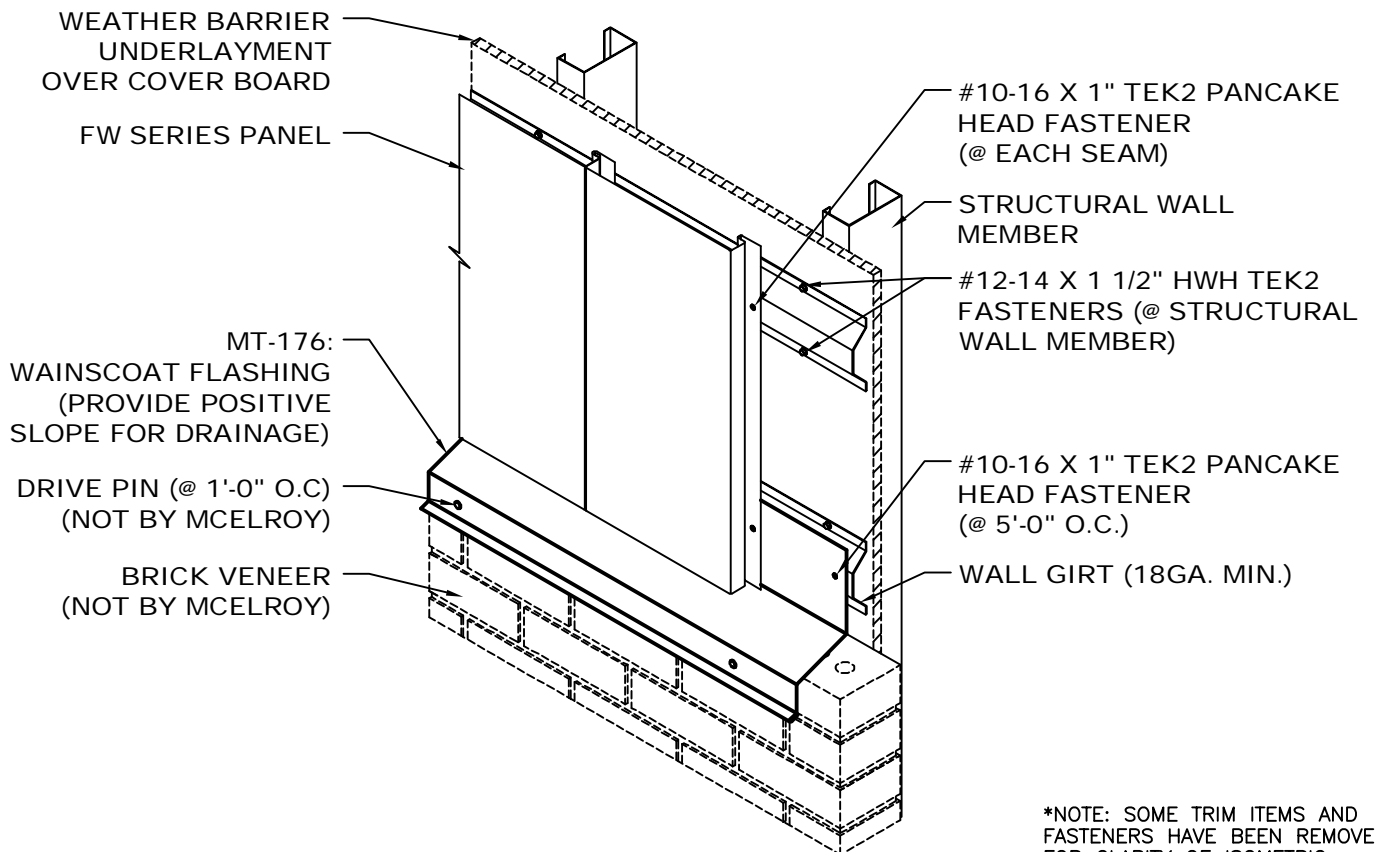


- NOTES: 1. Attach MT-148 (1 1/2" Sill Trim w/ Return) to Wall Girt with #10-16 x 1" Tek2 Pancake Head Fasteners at 5'-0" O.C.
2. Set FW Panel on 1 1/2" Sill Trim w/ Return. Then attach FW Panel to Wall Girt with #10-16 x 1" Tek2 Pancake Head Fastener at each seam.
3. Attach FW Panel to Wall Girt with #10-16 x 1" Tek2 Pancake Fastener at each Wall Girt.

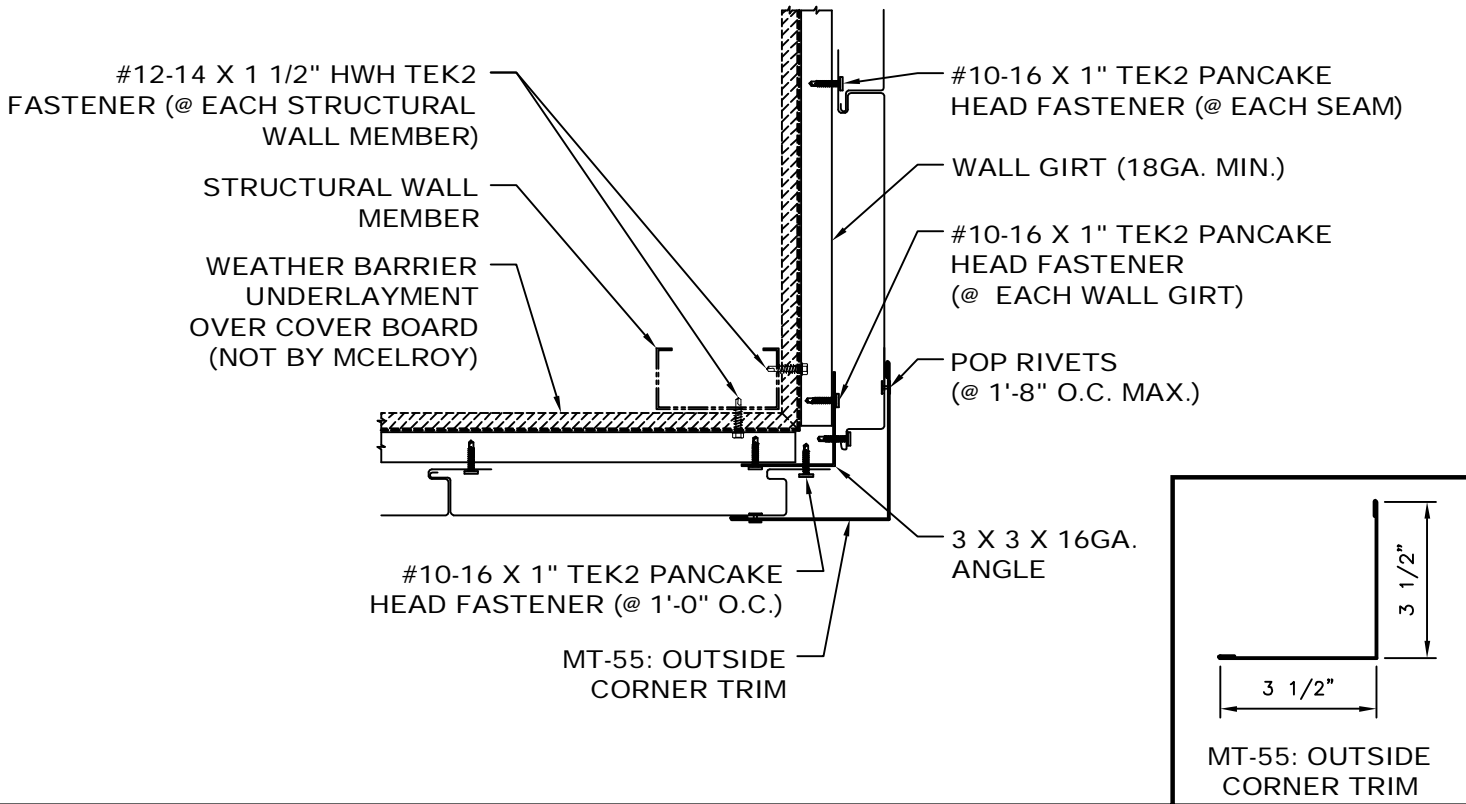




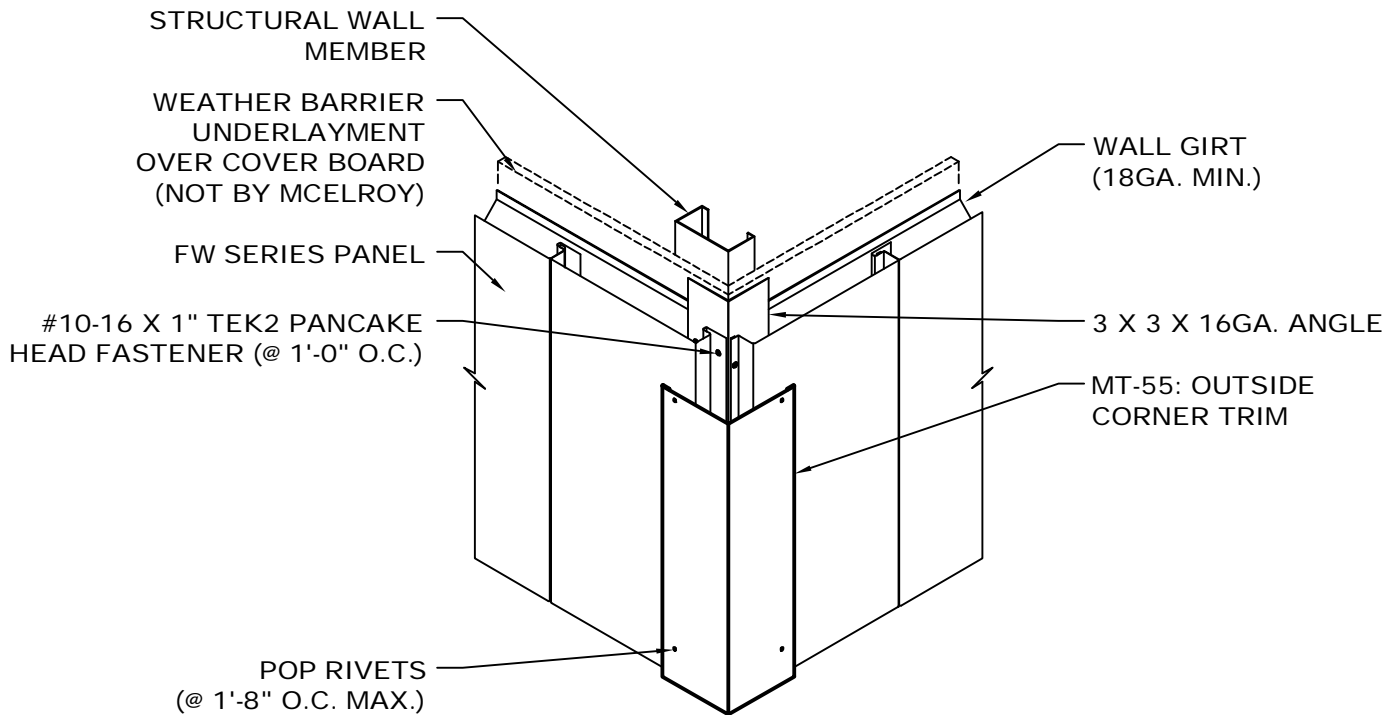
- NOTES: 1. Attach MT-176 (Wainscoat Flashing) to Wall Girt with #10-16 x 1" Tek2 Pancake Head Fasteners at 5'-0" O.C. Then attach MT-176 (Wainscoat Flashing) to Brick Veneer with a Drive Pin at 1'-0" O.C.
2. Set FW Panel on MT-176 (Wainscoat Flashing) then attach FW Panel to Wall Girt with #10-16 x 1" Tek2 Pancake Head Fastener at each seam.



\*NOTE: SOME TRIM ITEMS AND FASTENERS HAVE BEEN REMOVED FOR CLARITY OF ISOMETRIC DETAIL.



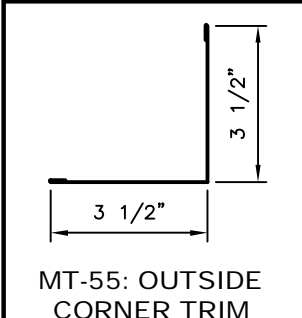
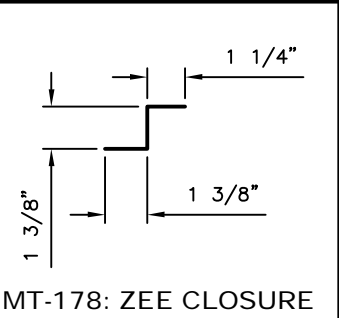
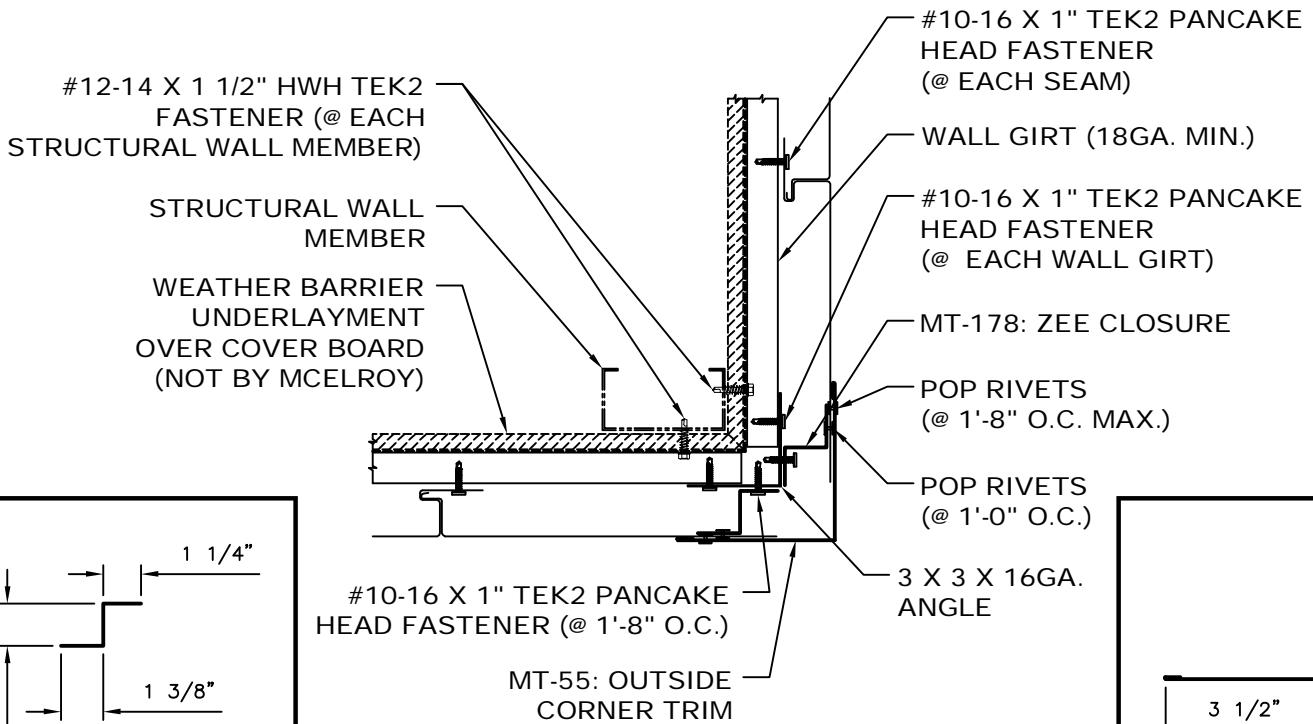
- NOTES: 1. Attach FW Panel to Wall Girt with #10-16 x 1" Tek2 Pancake Head Fastener at each Wall Girt.  
 2. Install FW Series Panels to Wall Girts with #10-16 x 1" Pancake Head Fasteners at each seam.  
 3. Attach MT-55 (Outside Corner Trim) to FW Series Panels with Pop Rivets at 1'-8" O.C. (MAX.)



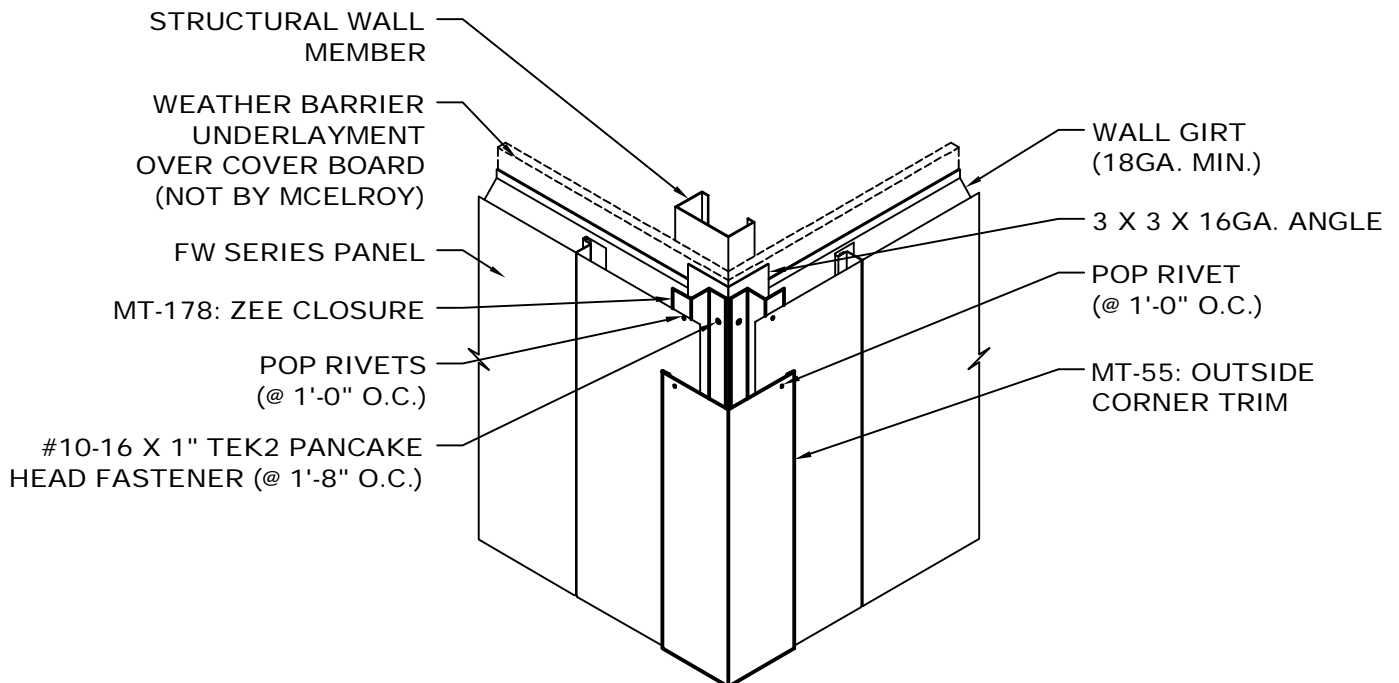
\*NOTE: SOME TRIM ITEMS AND FASTENERS HAVE BEEN REMOVED FOR CLARITY OF ISOMETRIC DETAIL.



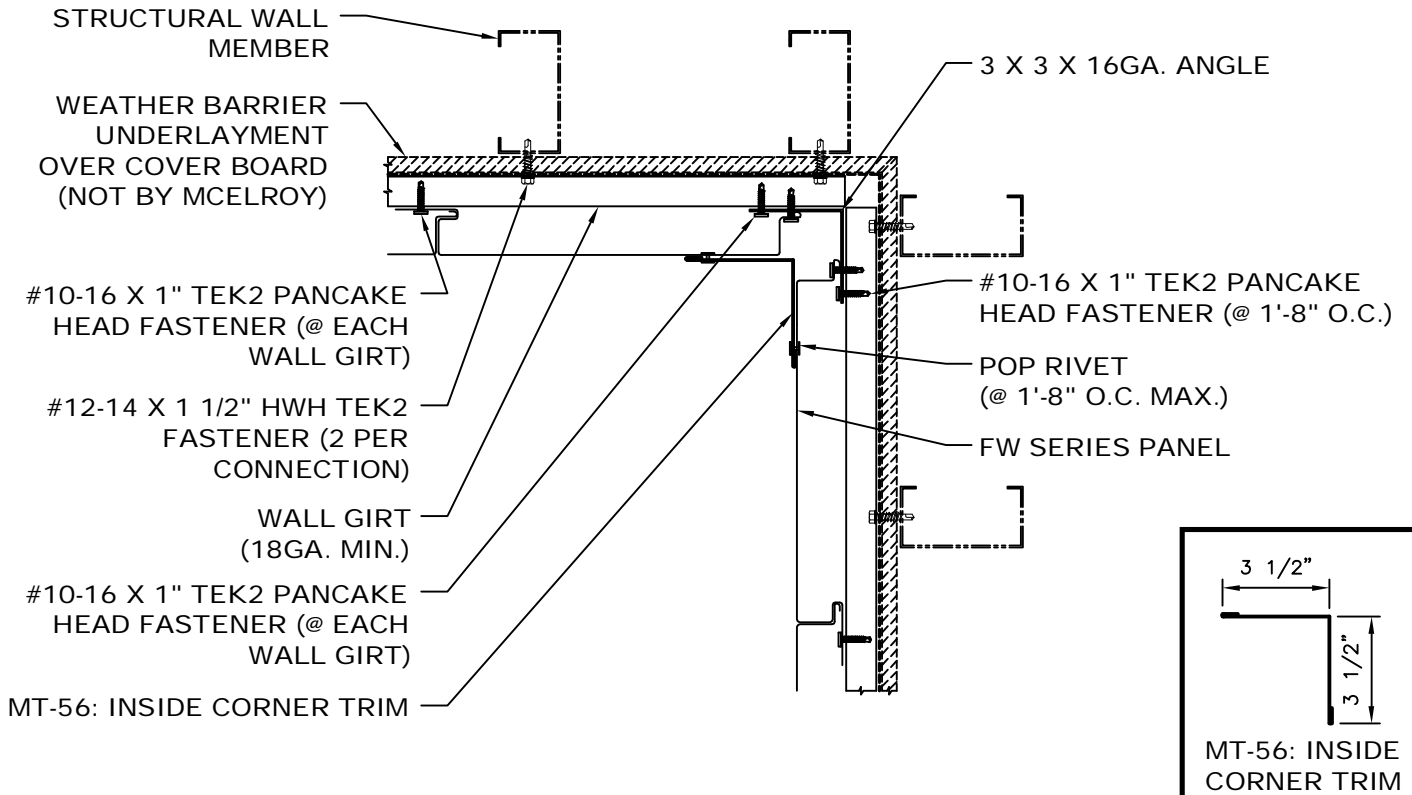
# FW PANEL OUTSIDE CORNER (OFF MODULE) DETAIL



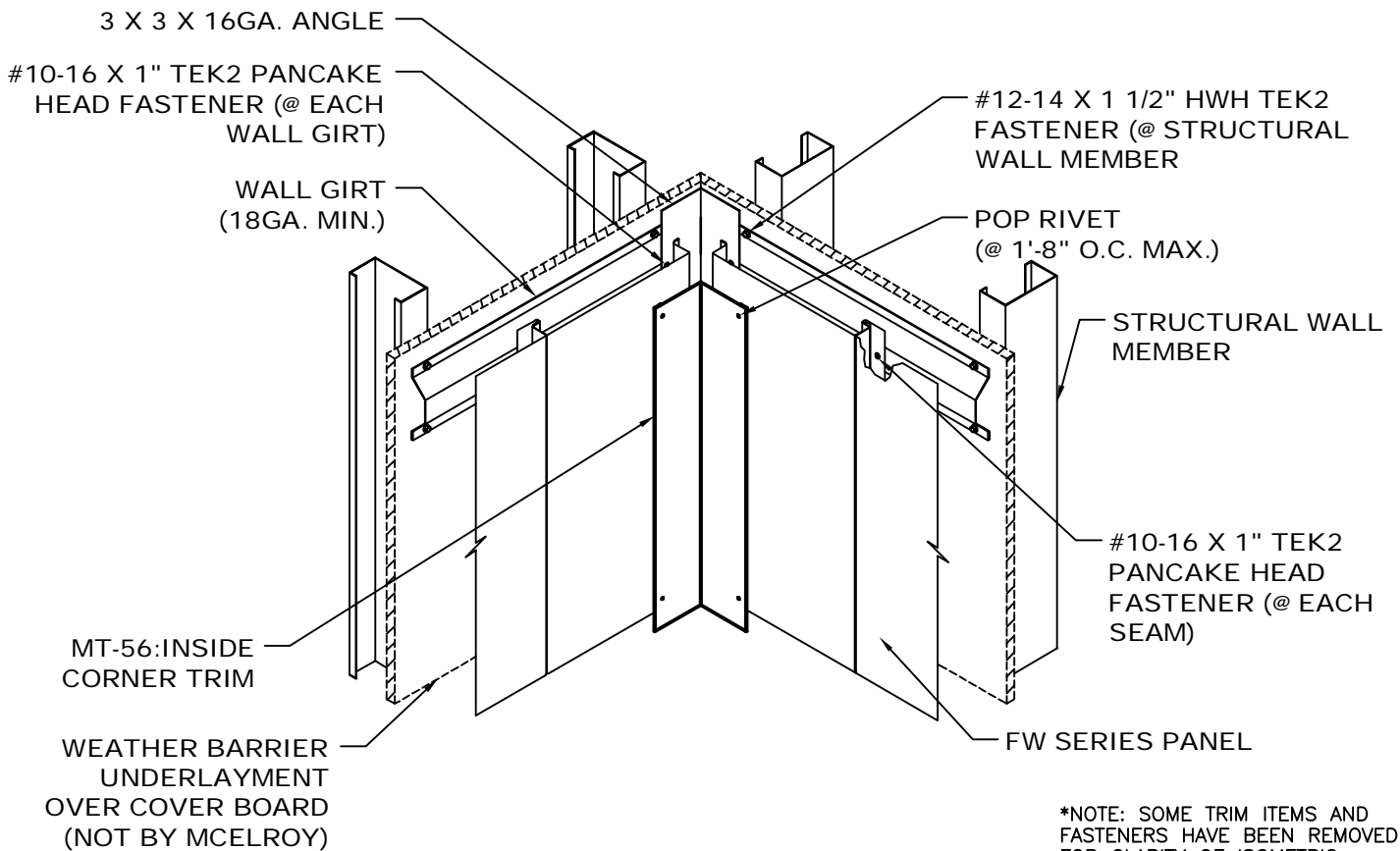
- NOTES: 1. Attach MT-178 (Zee Closure) to 3 x 3 Angle with #10-16 x 1" Tek2 Pancake Head Fasteners at each Wall Girt.
2. Install FW Series Panels to Wall Girts with #10-16 x 1" Pancake Head Fasteners at each seam.
3. Attach FW Series Panels to MT-178 (Zee Closure) with Pop Rivets at 1'0" O.C.
4. Attach MT-55 (Outside Corner Trim) to MT-178 (Zee Closure) with Pop Rivets at 1'-8" O.C. (MAX.)



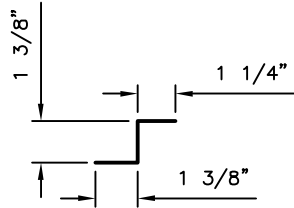
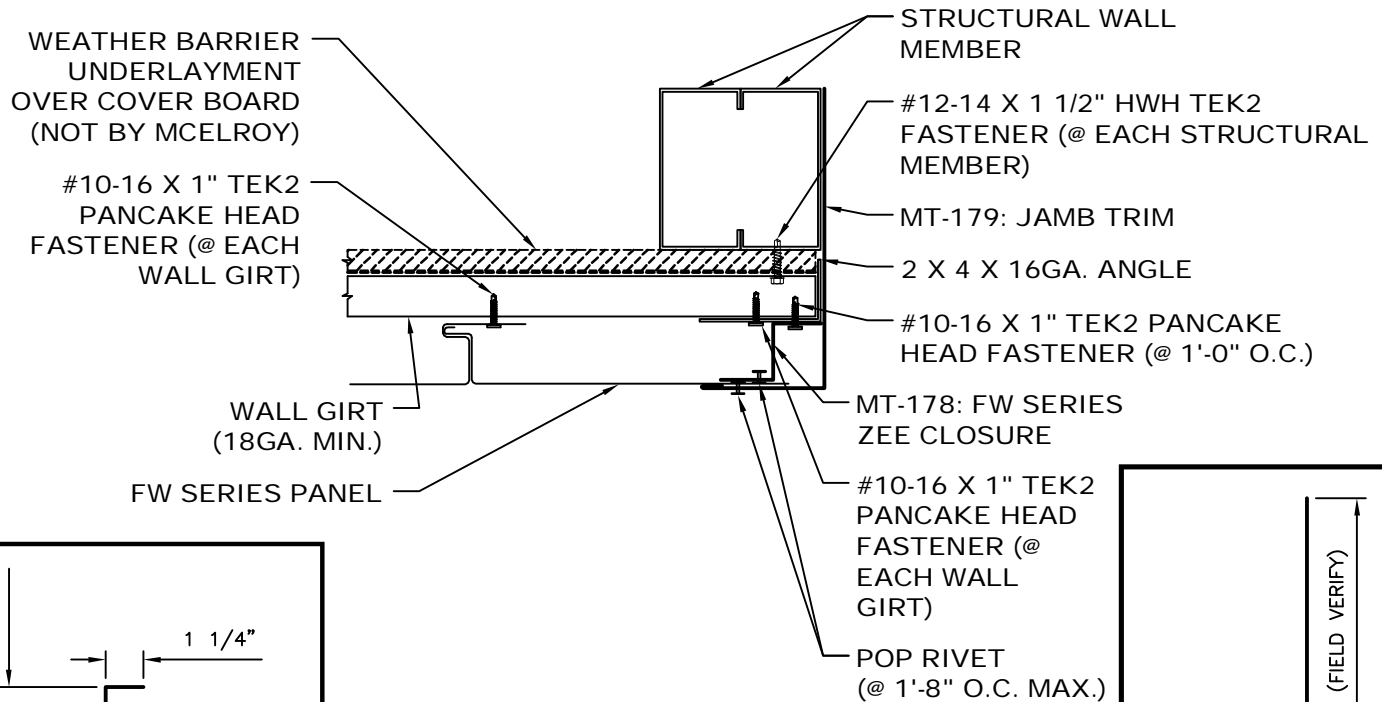
\*NOTE: SOME TRIM ITEMS AND FASTENERS HAVE BEEN REMOVED FOR CLARITY OF ISOMETRIC DETAIL.



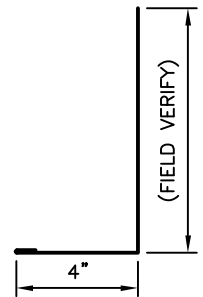
- NOTES: 1. Attach FW Series Panel to Wall Girt with #10-16 x 1" Tek2 Pancake Head Fastener at each seam.  
 2. Attach MT-56 (Inside Corner Trim) to FW Series Panel with Pop Rivets at 1'-8" O.C. (Max.)



\*NOTE: SOME TRIM ITEMS AND FASTENERS HAVE BEEN REMOVED FOR CLARITY OF ISOMETRIC DETAIL.

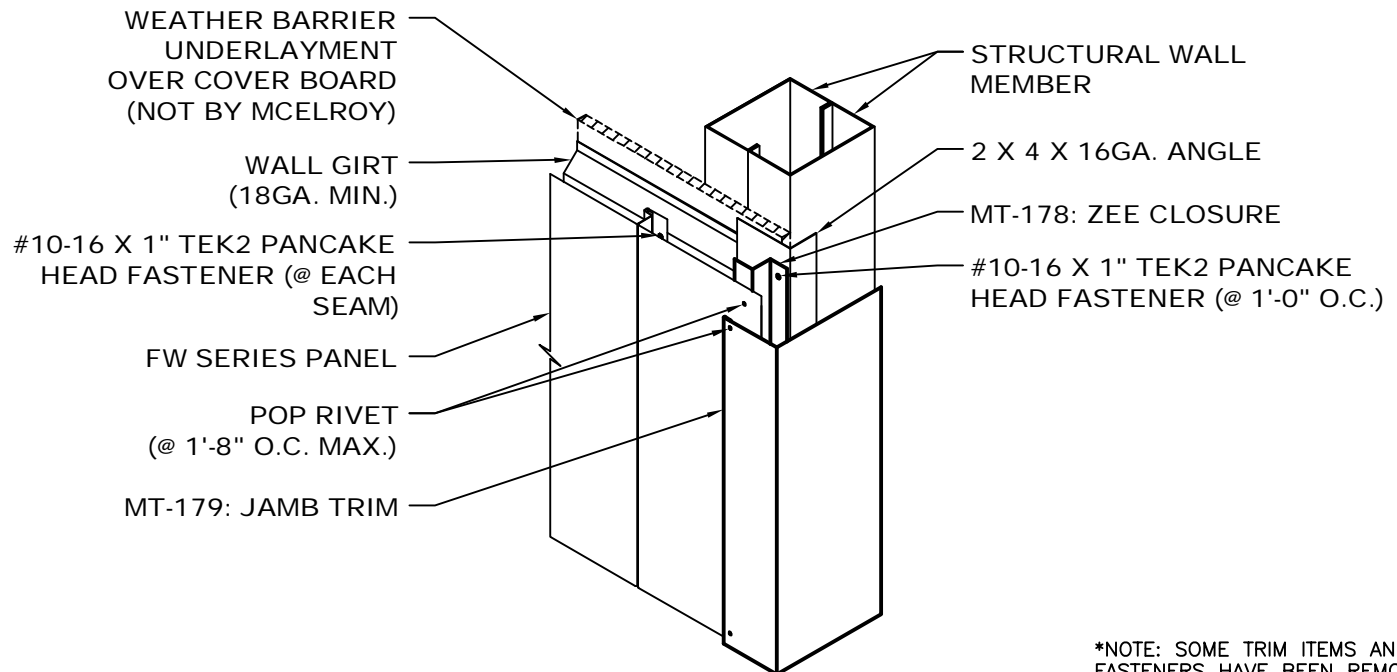


MT-178: ZEE CLOSURE

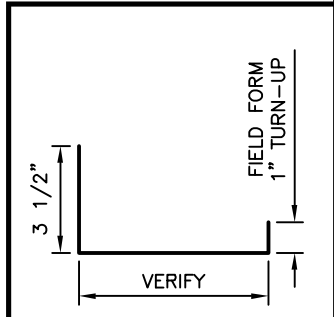
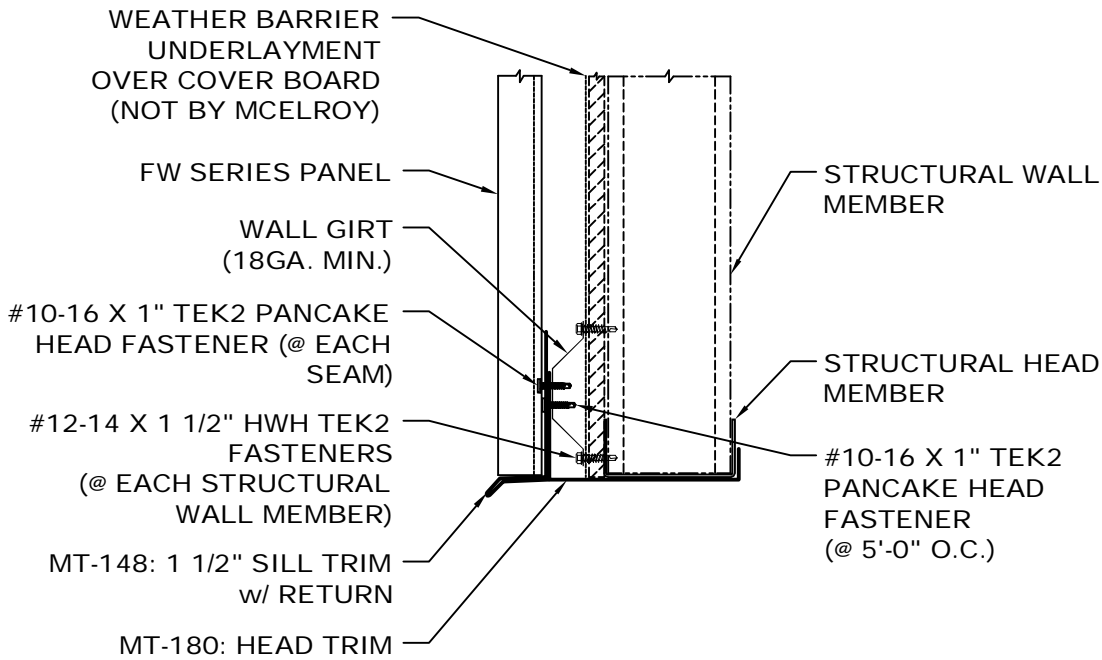


MT-179: JAMB TRIM

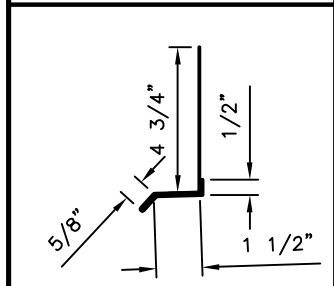
- NOTES: 1. Attach FW Series Panel to Wall Girt with #10-16 x 1" Tek2 Pancake Head Fastener at each Wall Girt.  
 2. Attach MT-178 (Zee Closure) to 2 x 4 Angle with #10-16 x 1" Tek2 Pancake Head Fasteners at 1'-0" O.C.  
 3. Attach MT-179 (Jamb Trim) flush with Structural Member and MT-178 (Zee Closure). Then attach MT-179 (Jamb Trim) to MT-178 (Zee Closure) with Pop Rivets at 1'-8" O.C. (Max.)



\*NOTE: SOME TRIM ITEMS AND FASTENERS HAVE BEEN REMOVED FOR CLARITY OF ISOMETRIC DETAIL.

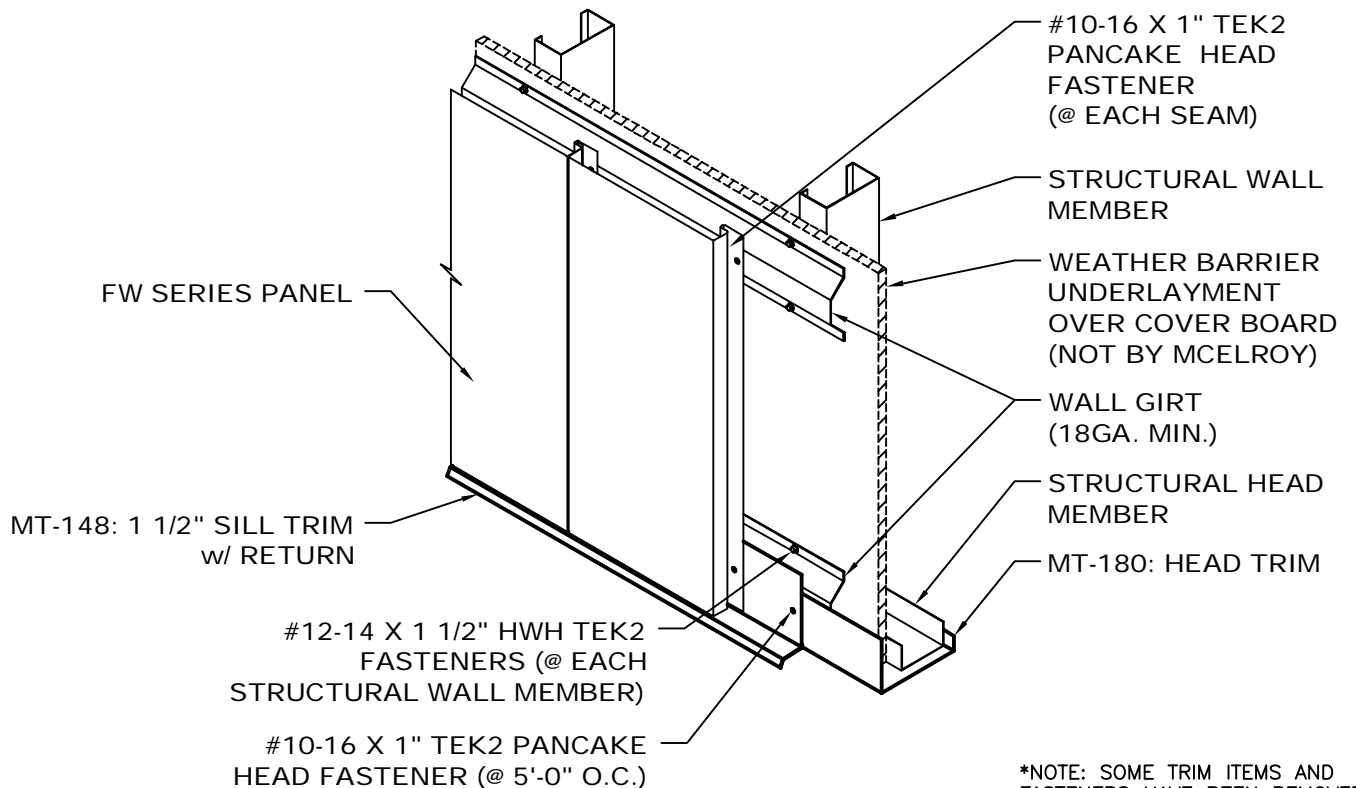


MT-180: HEAD TRIM



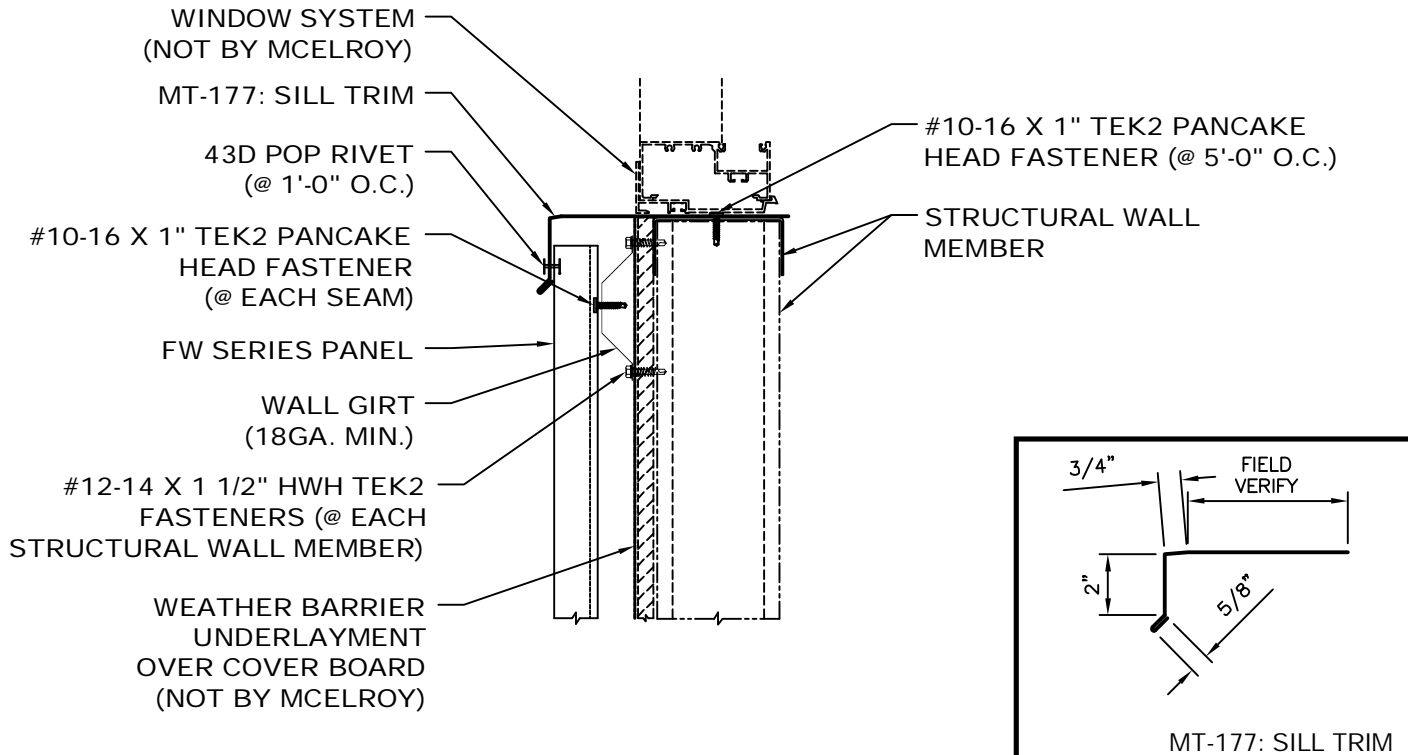
MT-148: 1 1/2" SILL TRIM w/ RETURN

- NOTES: 1. Set MT-148 (1 1/2" Sill Trim w/ Return) flush with MT-180 (Head Trim). Then attach MT-148 (1 1/2" Sill Trim) to Wall Girt with #10-16 x 1" Tek2 Pancake Fastener at 1'-0" O.C.  
 2. Attach FW Panel with #10-16 x 1" Tek2 Pancake Fastener to Wall Girts at each seam.

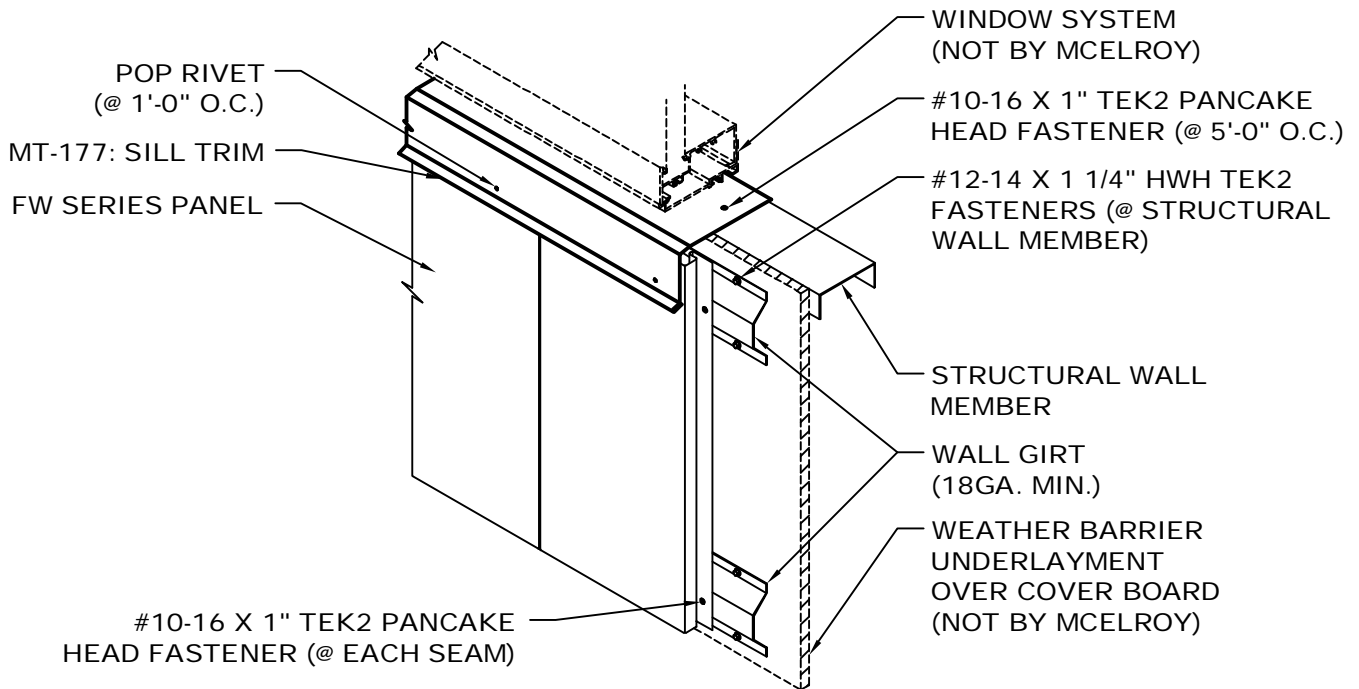


\*NOTE: SOME TRIM ITEMS AND FASTENERS HAVE BEEN REMOVED FOR CLARITY OF ISOMETRIC DETAIL.

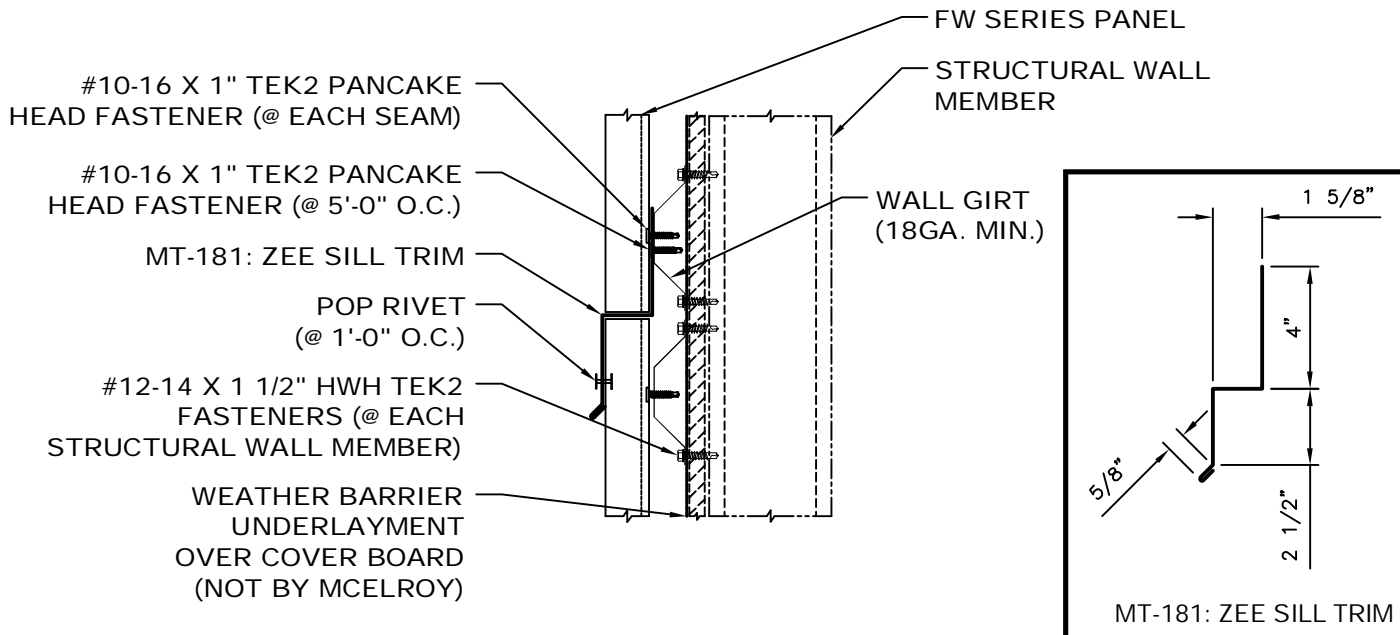




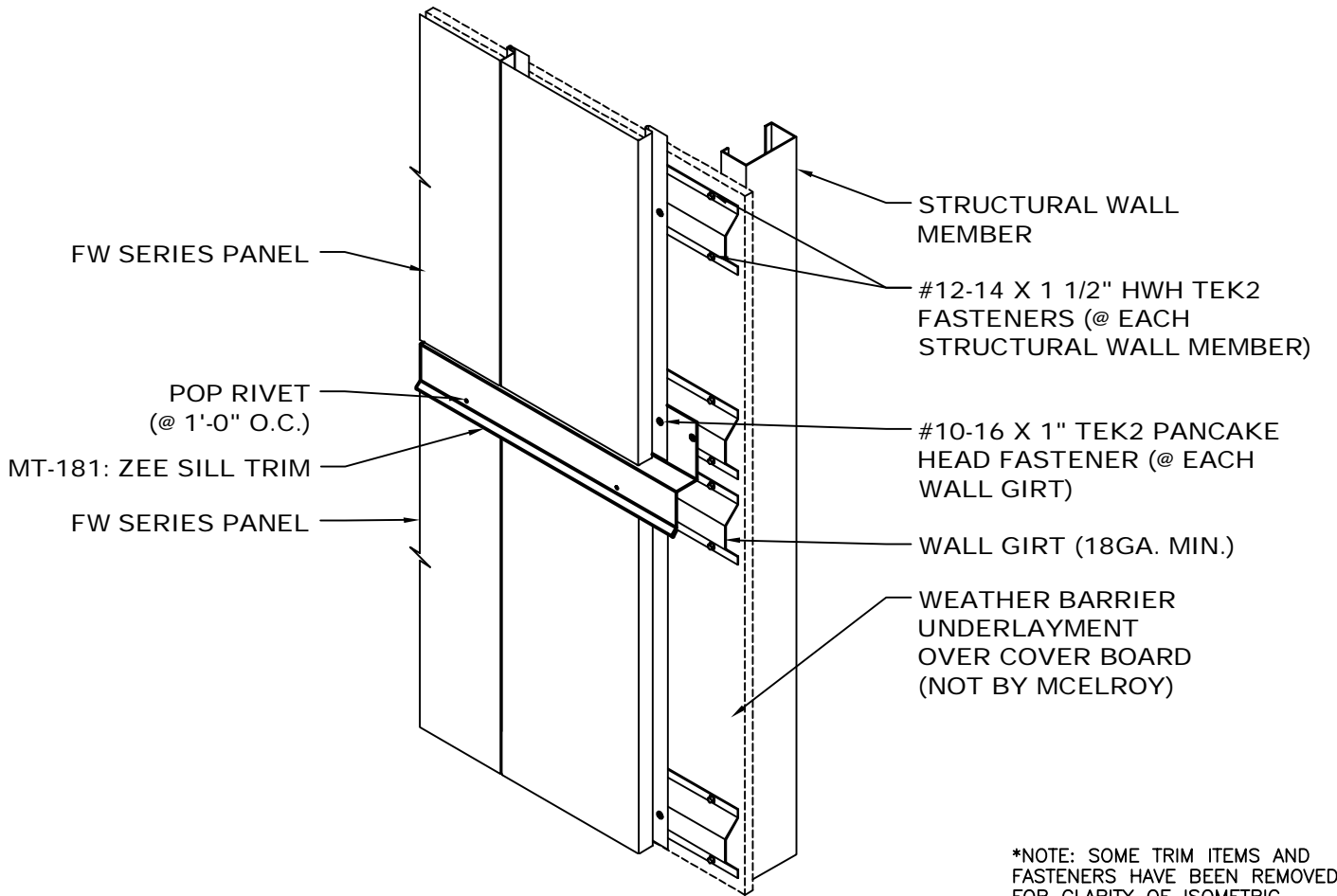
- NOTES: 1. Attach FW Series Panel to Wall Girt with #10-16 x 1" Tek2 Pancake Head Fasteners at each seam.  
 2. Attach MT-177 (Sill Trim) to Structural Base Member with #10-16 x 1" Tek2 Pancake Head Fastener at 5'-0" O.C. Then attach MT-177 (Sill Trim) to FW Series Panel With Pop Rivets at 1'-0" O.C.



\*NOTE: SOME TRIM ITEMS AND FASTENERS HAVE BEEN REMOVED FOR CLARITY OF ISOMETRIC DETAIL.

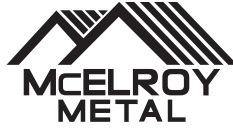


- NOTES: 1. Attach lower FW Series Panel to Wall Girt with #10-16 x 1" Tek2 Pancake Fastener at each seam.  
 2. Place MT-181 (Sill Trim) on lower FW Series Panel attach MT-181 (Sill Trim) to Wall Girt with #10-16 x 1" Tek2 Pancake Head Fastener at 5'-0" O.C. Then attach MT-181 (Sill Trim) to lower FW Series Panel with Pop Rivets at 1'-0" O.C.  
 3. Attach upper FW Series Panel to Wall Girt with #10-16 x 1" Tek2 Pancake Head Fasteners at each seam.



\*NOTE: SOME TRIM ITEMS AND FASTENERS HAVE BEEN REMOVED FOR CLARITY OF ISOMETRIC DETAIL.





☆ MANUFACTURING LOCATIONS ● SERVICE CENTERS ★ MANUFACTURING AND SERVICE CENTER



**CORPORATE OFFICE**  
1500 HAMILTON RD.  
BOSSIER CITY, LA 71111

**MANUFACTURING LOCATIONS**

ADELANTO, CA	ASHBURN, GA	BOSSIER CITY, LA	CLINTON, IL
HOUSTON, TX	LEWISPORT, KY	MARSHALL, MI	MAUSTON, WI
MERKEL, TX	PEACHTREE CITY, GA	SUNNYVALE, TX	WINCHESTER, VA

**McELROY METAL**  
**SERVICE**  
C E N T E R

5215 Leo St. Alexandria, LA 71301	1007 Wilso Dr, Baltimore, MD 21223	1500 Hamilton Rd. Bossier City, LA 71111	3052 Yadkin Road Chesapeake, VA 23323
9476 Meadowbrook Rd. Clinton, IL 61727	3215 Highway 59 Diamond, MO 64840	390 N. Valley Dell Dr. Fenton, MO 63026	409 Lovejoy Road Ft. Walton Beach, FL 32548
3014 Lincoln Court Garland, TX 75041	1440 Aldine Bender Road Houston, TX 77032	10504 E. 59th Street Indianapolis, IN 46236	9435 US Hwy. 60 W. Lewisport, KY 42351
5123 Terminal Dr. McFarland, WI 53558	514 Cave Road Nashville, TN 37210	8304 Hwy. 70 E. North Little Rock, AR 72117	613 North Bierdeman Rd. Pearl, MS 39208
7450 Tower Street Richland Hills, TX 76118	5300 83rd Street Sacramento, CA 95826	1365 Dean Forest Rd. Savannah, GA 31405	
7355 Oakley Industrial Blvd. Union City, GA 30291	1144 Silstar Rd. West Columbia, SC 29170	325 McGhee Rd. Winchester, VA 22603	

Website: [www.mcelroymetal.com](http://www.mcelroymetal.com) • E-mail: [info@mcelroymetal.com](mailto:info@mcelroymetal.com)