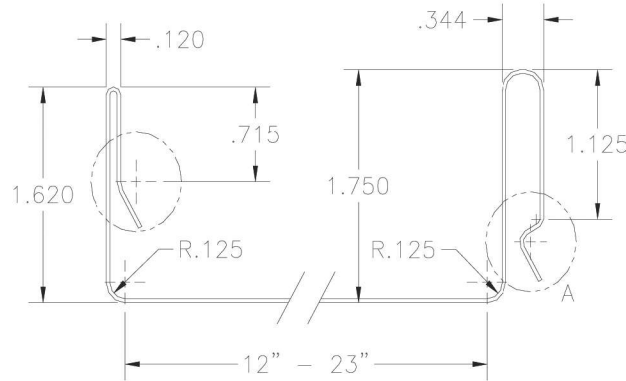


LT175 Panel



281-893-8382

1 3/4 Inch Snap Seam



1 3/4 Inch Snap Lock Panel

Architectural or structural standing seam panel.

1 3/4 inch rib height.

Gauges 22, 24, 26

Panel Coverage from 8 to 24.5 inches.

Specially designed clip for thermal movement.

Applies over open purlin or solid substrate.

Type	Test Type	Width	Ga.	Fastener Spacing	Decking
Hail	UL Class 4	16	24 CRS	36	5/8 Plywood
Wind Uplift Class 90	UL Construction Number 342	18	24 CRS	48	5/8 Plywood
Wind Uplift Class 90	UL Construction Number 446	18	24 CRS	48	Purlins 16ga
Wind Uplift Class 90	UL Construction Number 565	18	24 CRS	60	32 Inch Fibroplank
Wind Uplift Class 60	UL Construction Number 543	18	24 CRS	60	Purlins 16ga
Wind Uplift Class 90	UL Construction Number 343	18	24 CRS	36	19/32 Plywood
Wind Uplift Class 90	UL Construction Number 414	18	24 CRS	36	19/32 Plywood
Wind Uplift Class 90	UL Construction Number 343	18	24 CRS	36	5/8 Gypsum
Wind Uplift Class 90	UL Construction Number 448	18	24 CRS	36	5/8 Gypsum
Wind Uplift Class 90	UL Construction Number 436	18	24 CRS	36	5/8 OSB
Wind Uplift Class 90	UL Construction Number 436	18	24 CRS	36	5/8 Plywood
Wind Uplift Class 90	UL Construction Number 448	18	24 CRS	36	7/16 OSB
Wind Uplift Class 90	UL Construction Number 486	18	24 CRS	36	Densdeck 1/2"
Wind Uplift Class 90	UL Construction Number 508A	18	24 CRS	36	Densdeck 1/2"
Wind Uplift Class 90	UL Construction Number 448	18	24 CRS	36	Metal Deck 22ga
Wind Uplift Class 90	UL Construction Number 486	18	24 CRS	36	Metal Deck 22ga
Wind Uplift Class 90	UL Construction Number 508A	18	24 CRS	36	Metal Deck 22ga
Wind Uplift Class 90	UL Construction Number 486	18	24 CRS	36	Purlins 16ga
Wind Uplift Class 90	UL Construction Number 508A	18	24 CRS	36	Purlins 16ga
Wind Uplift Class 90	UL Construction Number 446	18	24 CRS	48	Purlins 16ga
Wind Uplift Class 90	UL Construction Number 565	18	24 CRS	60	32 inch Fibroplank
Wind Uplift Class 90	UL Construction Number 543	18	24 CRS	60	Purlins 16ga
Wind Uplift Class 90	UL Construction Number 303	18	.032 AI	36	5/8 Gypsum
Wind Uplift Class 90	UL Construction Number 303	18	.032 AI	36	7/16 OSB
Wind Uplift Class 90	UL Construction Number 303	18	.032 AI	36	7/16 OSB
Wind Uplift Class 60	UL Construction Number 252	18	24 CRS	60	Purlins 16ga
Wind Uplift	ASTM 1592	16	.032 AI	36	5/8 Plywood

LT175 Panel



281-893-8382

1 3/4 Inch Snap Seam

Type	Test Type	Width	Ga.	Fastener Spacing	Decking
Wind Uplift	ASTM 1592	16	24 CRS	36	5/8 Plywood
Wind Uplift Class 90	UL Construction Number 447	10	22 CRS	60	Purlins 16ga
Wind Uplift Class 90	UL Construction Number 343	10	24 CRS	36	19/32 Plywood
Wind Uplift Class 90	UL Construction Number 343	10	24 CRS	36	5/8 Gypsum
Wind Uplift Class 90	UL Construction Number 508A	10	24 CRS	36	Densdeck 1/2"
Wind Uplift Class 90	UL Construction Number 508A	10	24 CRS	36	Metal Deck 22ga
Wind Uplift Class 90	UL Construction Number 508A	10	24 CRS	36	Purlins 16ga
Wind Uplift Class 90	UL Construction Number 342	10	24 CRS	48	1/2 Gypsum
Wind Uplift Class 90	UL Construction Number 447	10	24 CRS	48	Purlins 16ga
Wind Uplift Class 90	UL Construction Number 508A	10	.032 Al	36	Densdeck 1/2"
Wind Uplift Class 90	UL Construction Number 508A	10	.032 Al	36	Metal Deck 22ga
Wind Uplift Class 90	UL Construction Number 447	10	.032 Al	36	Purlins 16ga
Wind Uplift Class 90	UL Construction Number 508A	10	.032 Al	36	Purlins 16ga
Wind Uplift Class 90	UL Construction Number 303	10	.032 Al	36	5/8 Gypsum
Wind Uplift Class 90	UL Construction Number 253	10	24 CRS	48	Purlins 16ga
Wind Uplift Class 90	UL Construction Number 261	10.5	.032 Al	36	Purlins 16ga
Wind Uplift Class 60	UL Construction Number 261	10.5	.032 Al	48	Purlins 16ga
Wind Uplift Class 90	UL Construction Number 261	10.5	22 CRS	60	Purlins 16ga
Wind Uplift Class 90	UL Construction Number 261	10.5	24 CRS	48	Purlins 16ga
Wind Uplift Class 90	UL Construction Number 445	12	22 CRS	60	Purlins 16ga
Wind Uplift Class 90	UL Construction Number 543	12	22 CRS	60	Purlins 16ga
Wind Uplift Class 90	UL Construction Number 343	12	24 CRS	36	19/32 Plywood
Wind Uplift Class 90	UL Construction Number 343	12	24 CRS	36	5/8 Gypsum
Wind Uplift Class 90	UL Construction Number 508A	12	24 CRS	36	Densdeck 1/2"
Wind Uplift Class 90	UL Construction Number 508A	12	24 CRS	36	Metal Deck 22ga
Wind Uplift Class 90	UL Construction Number 508A	12	24 CRS	36	Purlins 16ga
Wind Uplift Class 90	UL Construction Number 445	12	24 CRS	48	Purlins 16ga
Wind Uplift Class 90	UL Construction Number 508A	12	.032 Al	36	Densdeck 1/2"
Wind Uplift Class 90	UL Construction Number 508A	12	.032 Al	36	Metal Deck 22ga
Wind Uplift Class 90	UL Construction Number 508A	12	.032 Al	36	Purlins 16ga
Wind Uplift Class 90	UL Construction Number 254	12	22CRS	60	Purlins 16ga
Wind Uplift Class 90	UL Construction Number 254	12	24 CRS	48	Purlins 16ga
Wind Uplift Class 90	UL Construction Number 508A	16	24 CRS	36	Densdeck 1/2"
Wind Uplift Class 90	UL Construction Number 508A	16	24 CRS	36	Metal Deck 22ga
Wind Uplift Class 90	UL Construction Number 508A	16	24 CRS	36	Purlins 16ga