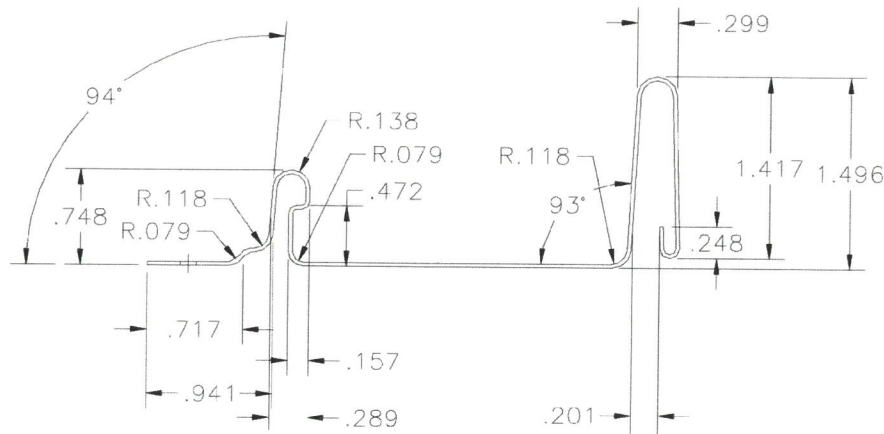


FF150 Panel



1.5" Nail Strip Panel

281-893-8382



1.5 Inch Nailstrip Snap Lock

Architectural or structural standing seam panel.

1.5 inch rib height.

Gauges 22, 24, 26

Screw fastening through slotted hole for limited thermal movement.

Applies over open purlin or solid substrate.

Fastest panel in the market for installation.

Type	Test Type	Width	Ga.	Fastener Spacing	Decking
Flexural Strength	ASTM 330	12	24 CRS	12	Purlins 16ga
Wind Uplift	Dade 80 MPH	15	24 CRS	12	1/2 Plywood
Wind Uplift	Dade 140 MPH	15	24 CRS	12	5/8 Plywood
Hail	UL Class 4	15	24 CRS	18	5/8 Plywood
Impact	Dade Impact	15	24 CRS	18	5/8 Plywood
Hail	UL Class 4	15	26 CRS	18	1/2 Plywood
Water	Dade Wind Driven Rain	16	24 CRS	18	5/8 Plywood
Wind Uplift Class 90	UL Construction Number 601	3/16	22 CRS	20 3/4	5/8 Plywood
Wind Uplift	ASTM 1592	12	24 CRS	12	Purlins 16ga
Wind Uplift Class 90	UL Construction Number 587	14.5	24 CRS	18	5/8 Plywood