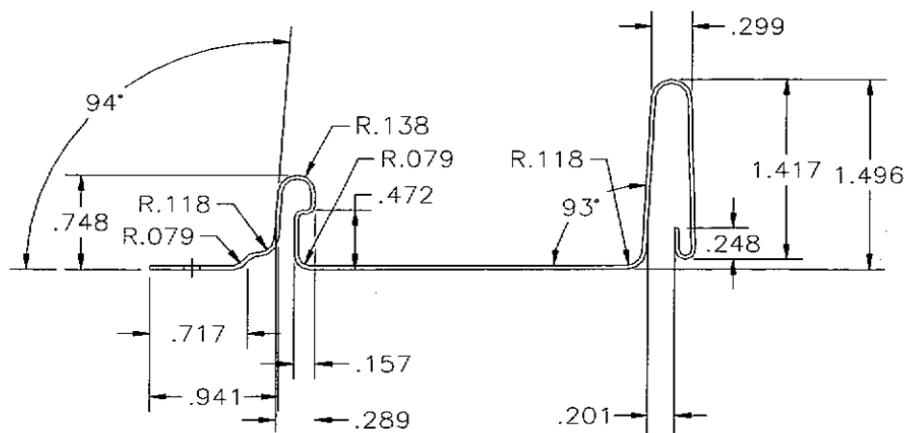




FF150

(1.5" Nailstrip Snap Lock)



| Type | Test | Width | Gauge | Fastener Spacing | Decking |
|----------------------|----------------------------|-------|--------|------------------|--------------|
| Flexural Strength | ASTM 330 | 12 | 24 CRS | 12 | Purlins 16ga |
| Wind uplift | Dade 80 mph | 15 | 24 CRS | 12 | 1/2 Plywood |
| Wind uplift | Dade 140 mph | 15 | 24 CRS | 12 | 5/8 Plywood |
| Hail | UL Class 4 | 15 | 24 CRS | 18 | 5/8 Plywood |
| Impact | Dade Impact | 15 | 24 CRS | 18 | 5/8 Plywood |
| Hail | UL Class 4 | 15 | 26 CRS | 18 | 1/2 Plywood |
| Water | Dade Wind Driven Rain | 16 | 24 CRS | 18 | 5/8 Plywood |
| Wind Uplift Class 90 | UI Construction Number 601 | 3/16 | 22 CRS | 20 3/4 | 5/8 Plywood |
| Wind Uplift | ASTM 1592 | 12 | 24 CRS | 12 | Purlins 16ga |

* 1.5" Nailstrip Snap Lock Architectural or Structural Standing Seam Pane * Gauges: 22, 24, 26

* 1.5" Rib Height

* Screw Fastening through slotted hole for limited thermal movement

* Fastest panel in the market for installation

* TDI Approved

6846 Theall Road #400 * Houston Texas 77066

Ph: (281) 893-8382 * Fax (281) 893-7647